

TLS01201B  
(W/ pop-up waste)



Reduce The  
Water  
Technology

### FEATURES

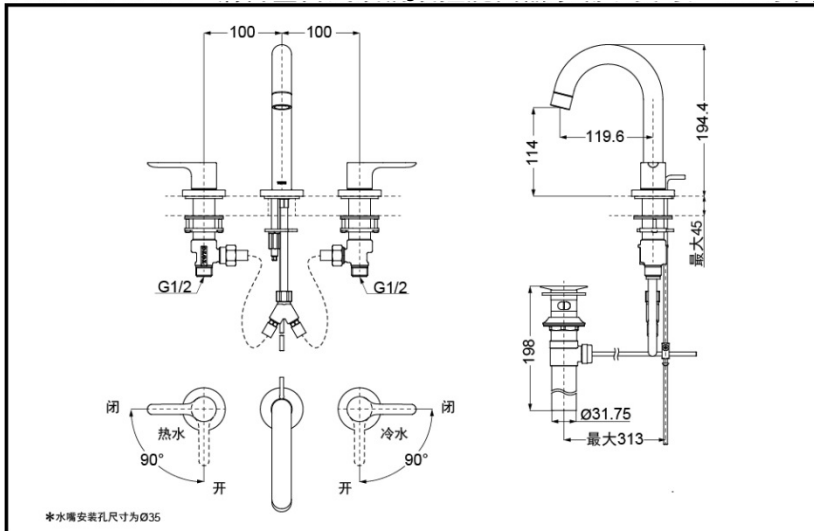
- Elegant appearance.
- Beautiful curves reveal elegant taste.
- Unique aerial technology , smooth and moderate flow presents more comfort experience and saves water as well.

### SPECIFICS

Water Inlet Requirement :  
0.05MPa(Dynamic  
Pressure)~1.0MPa(Static  
Pressure)

Water Efficiency : Grade1  
Spout : Bubbler equipped

### TLS01201B 3 Holes Lavatory Faucet



\*TOTO(CHINA) CO.,LTD. All rights reserved.

### Others

Series : LB